

Panasonic

Digital Proprietary Telephones

Quick Reference Guide

Model **KX-T7625 KX-T7630**
KX-T7633 KX-T7636

Important Information

When using the KX-T7600 series, keep the following conditions in mind.

- If there is any problem, unplug the extension line and connect a known working phone. If the known working phone operates properly, have the defective phone repaired by a specified Panasonic Factory Servicenter. If the known working phone does not operate properly, check the KX-TDA series Business Telephone Systems and the internal extension wiring.
- Keep the unit away from heating appliances and electrical noise generating devices such as fluorescent lamps, motors and televisions. These noise sources can interfere with the performance of the unit.
- This unit should be kept free of dust, moisture, high temperature (more than 40 °C [104 °F]) and vibration, and should not be exposed to direct sunlight.
- Do not use benzine, thinner, or the like, or any abrasive powder to clean the cabinet. Wipe it with a soft cloth.
- Do not use any handset other than a Panasonic handset.
- Do not disassemble this product. Dangerous electrical shock could result. The unit must only be disassembled and repaired by qualified service technicians.
- When a failure occurs, which exposes any internal parts, disconnect the telephone line cord immediately and return this unit to servicenter.
- Never attempt to insert wires, pins, etc., into the vents or other holes of this unit.

WARNING:

TO PREVENT THE RISK OF FIRE OR ELECTRIC SHOCK, DO NOT EXPOSE THIS PRODUCT TO RAIN OR MOISTURE.

THIS HANDSET EARPIECE IS MAGNETIZED AND MAY RETAIN SMALL FERROUS OBJECTS.

IMPORTANT NOTICE:

Under power failure conditions, this telephone may not operate. Please ensure that a separate telephone, not dependent on local power, is available for use in an emergency.

Thank you for purchasing the Panasonic KX-T7600 series, Digital Proprietary Telephone. Please read this manual carefully before using this product and save this manual for future use.

This manual is designed to be used with your Digital Proprietary Telephone and a Panasonic KX-TDA series Business Telephone System.

Note: In this manual, the suffix of each model number is omitted.

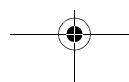
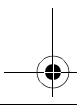
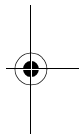
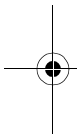


Table of Contents

Features for the Digital Proprietary Telephones.....	2	Setting Features	9
Features List	3	Location of Controls	11
Using the Display Proprietary Telephone..5		Connection.....	13
Using the Call Log or Directories	5	Setting	13
Accessing the System Features	6	Tilt Angle Adjustment	14
Entering Characters	7	Wall Mounting	14
Settings on the Programming Mode.....	9	Installing the KX-T7601/KX-T7603	15

Before Initial Use


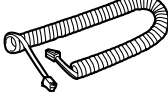
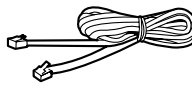
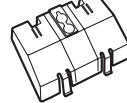
When you ship the product

Carefully pack and send it prepaid, adequately insured and preferably in the original carton. Attach a postage-paid letter, detailing the symptom to the outside of the carton. DO NOT send the product to the Executive or Regional Sales offices. They are NOT equipped to make repairs.

Product service

Panasonic Factory Servicenters for this product are listed in the servicenter directory. Consult your authorized Panasonic dealer for detailed instructions.

Accessories (included) For extra orders, call toll-free: 1-800-332-5368.

<input type="checkbox"/> Handset  One	<input type="checkbox"/> Handset Cord  One	<input type="checkbox"/> Telephone Line Cord  One	<input type="checkbox"/> Wall Mounting Adaptor *  One
--	---	---	--

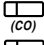




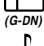




* This telephone comes with the wall mounting adaptor already attached. To remove the adaptor for desktop operation, push the adaptor toward the top of the unit while pressing the two tabs.


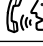

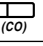
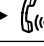

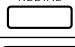
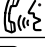
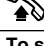
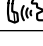




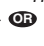


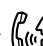

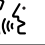


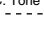

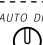



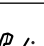

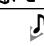
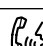
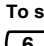

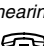




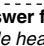
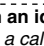
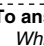
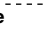





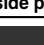




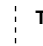
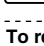
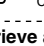
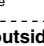
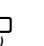


Features for the Digital Proprietary Telephones

Model	Description
KX-T7636*	DPT with Speakerphone, 6-Line Display with Backlight (24-CO)
KX-T7633*	DPT with Speakerphone, 3-Line Display with Backlight (24-CO)
KX-T7630	DPT with Speakerphone, 3-Line Display (24-CO)
KX-T7625	DPT with Speakerphone (24-CO)

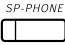



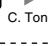




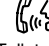



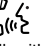
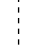





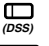



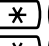
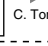



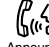
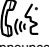








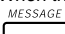





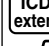


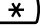
* Optional USB Module and Add-on Key Module are available.

Features List

 Outside (CO) Line button
  Off-hook
  On-hook
  Feature number
  Talk
 Group Directory Number
  Direct Station Selection button
 Confirmation Tone
  Dial Tone
  Ringback Tone

Feature	Operation
Making Calls	
Calling	To an extension:  ► extension no. ►  To an outside party:  ►  ► outside phone no. ► 
Redial	 ►  ► 
Quick Dialing	 ► quick dial no. ► 
One-touch Dialing	To store:  OR  ►  ► 2 ► desired no. (max. 32 digits) ►  OR  To dial:  ►  — assigned as a One-touch Dialing button ► 
Operator Call	 ► 0 ► 
Personal Speed Dialing	To store:  ► * 3 0 ► personal speed dial no. (2 digits) ► desired no. (max. 32 digits) ► # ►  ►  To dial:  ►  ► * ► personal speed dial no. (2 digits) ► 
System Speed Dialing	To dial:  ►  ► system speed dial no. (3 digits) ► 
Doorphone Call	 ► * 3 1 ► doorphone no. (2 digits) ►  ► 
Automatic Callback Busy	To set: <i>While hearing a busy tone</i>  ► 6 ►  ►  To cancel:  ► * 4 6 ►  ►  To answer from an idle extension: <i>While hearing a callback ring</i>  ►  ►  To answer from an idle outside line: <i>While hearing a callback ring</i>  ► outside phone no. ► 
During a Conversation	
Call Hold	To hold:  ►  ►  To retrieve a call at the holding extension:  ►  /  /  ►  To retrieve an outside call from another extension:  ►  ► 
Call Transfer	 ►  ►  ► extension no. ► <i>To an extension</i>  ►  ► outside phone no. ► <i>To an outside party</i> ► 

Features List

Feature	Operation
Useful Features	
Off-hook Monitor	To set/cancel <i>During a conversation using the handset</i> 
Call Park	To set <i>During a conversation</i>  C. Tone * 5 2 ▶ parking zone no. (2 digits) Specified    * Auto
	To retrieve  C. Tone * 5 2 ▶ stored parking zone no. (2 digits)  
Multiple Party Conversation	To add other parties during a conversation  desired phone no. ▶    CONF     Talk to the new party. Talk with multiple parties.
	To leave a conference   
Call Pickup	 ▶  * 4 1 ▶ extension no. Directed    ▶  * 4 0 ▶ group no. (2 digits) Group 
Sending a Call Waiting Tone	<i>While hearing a busy tone</i> 1 ▶ Wait for an answer. ▶ 
Paging	To page  ▶ * 3 3 ▶ paging group no. (2 digits)    ▶ Wait for an answer.  
	To answer  ▶ * 4 3  
	To allow/deny a paged announcement  ▶ * 7 2 1 1 Deny   * 7 2 1 0 Allow
Message Waiting	Caller To leave a message waiting indication <i>When the called extension is busy or does not answer</i>  C. Tone 
	Called extension To call back   
Log-in/Log-out	 ▶ * 7 3 6 1 For Log-in  ICD Group extension no. Specified   * 7 3 6 0 For Log-out  * All

- Consult your dealer for more details about the feature numbers.
- You can change the flexible CO buttons to feature buttons.
- "Location of Controls" is shown on page 11.

Using the Display Proprietary Telephone

◆◆ Using the Call Log or Directories

You can make a call with the call log or directories as follows:

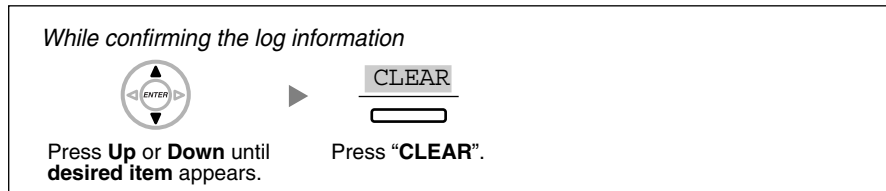
- Outgoing Call Log
- Incoming Call Log
- Extension Number Directory
- System Speed Dialing Directory
- Personal Speed Dialing Directory

◆ Calling with a call log or directory

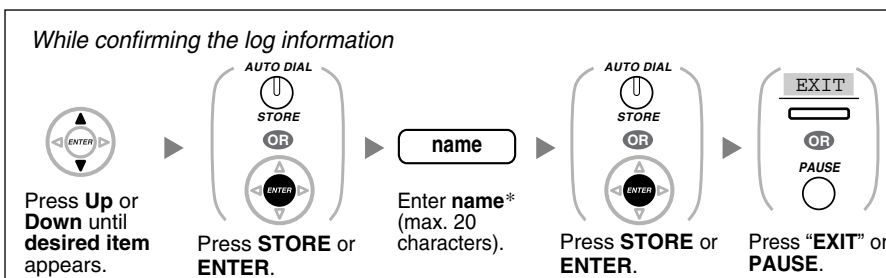


- To cancel or exit, press **CANCEL** or **EXIT**.

◆ Clearing the log information



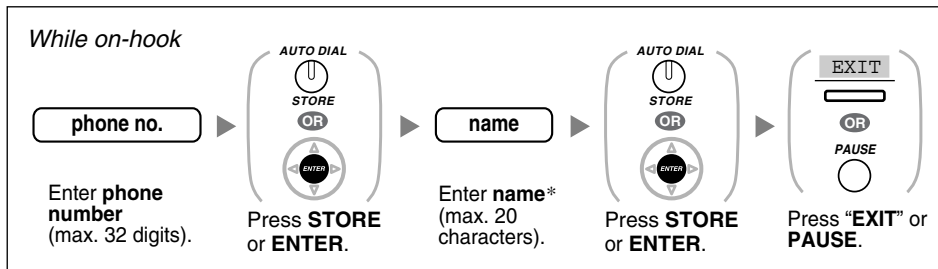
◆ Storing the caller's information for the Personal Speed Dialing Directory



- * To enter characters, refer to "Entering Characters".

Using the Display Proprietary Telephone

◆ Storing names and numbers for the Personal Speed Dialing Directory



- * To enter characters, refer to "Entering Characters".

◆◆ Accessing the System Features

You can access these features with the "Feature Access" menu:

Automatic Callback Busy Cancel
Group Call Pickup
Directed Call Pickup
Doorphone Call
Door Open
External Background Music
Paging



- For further information, refer to the Business Telephone System User Manual.

Using the Display Proprietary Telephone

◆◆ Entering Characters

You can enter alphabetic characters and digits using the dialing buttons. Pressing a dialing button repeatedly displays different characters, as shown in the following tables. While entering characters, you can move the cursor with the left and right Navigator keys and delete a character with the TRANSFER button.

To toggle between Table 1 and Table 2, press the Soft button (S1) at any time while entering characters.

Table 1 (Standard mode)

Buttons \ Times	1	2	3	4	5	6	7	8	9
1	!	?	"	1					
2	A	B	C	a	b	c	2		
3	D	E	F	d	e	f	3		
4	G	H	I	g	h	i	4		
5	J	K	L	j	k	l	5		
6	M	N	O	m	n	o	6		
7	P	Q	R	S	p	q	r	s	7
8	T	U	V	t	u	v	8		
9	W	X	Y	Z	w	x	y	z	9
0	(space)	.	,	'	:	;	0		
*	/	+	-	=	<	>	*		
#	\$	%	&	@	()	€	£	#

Using the Display Proprietary Telephone

Table 2 (Option mode)*

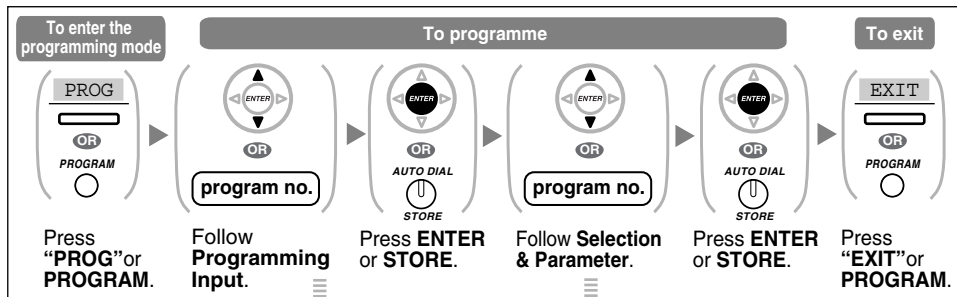
Times Buttons \	1	2	3	4	5	6	7	8	9	10	11	12	13	14	15
1	!	?	"	ä	ö	ü	1								
2	A	B	C	a	b	c	À	Á	Â	Ã	Ä	Å	Æ	Ç	2
3	D	E	F	d	e	f	Ð	È	É	Ê	Ë	3			
4	G	H	I	g	h	i	Ì	Í	Î	Ï	4				
5	J	K	L	j	k	l	5								
6	M	N	O	m	n	o	Ñ	Ò	Ó	Ô	Õ	Ö	Ø	Œ	6
7	P	Q	R	S	p	q	r	s	Š	ß	7				
8	T	U	V	t	u	v	Ù	Ú	Û	Ü	8				
9	W	X	Y	Z	w	x	y	z	Ý	Ž	9				
0	(space)	.	,	'	:	;	0								
*	/	+	-	=	<	>	*								
#	\$	%	&	@	()	€	£	#						

* Some characters may not be displayed depending on the software version of the connected Business Telephone System.

Settings on the Programming Mode

◆◆ Setting Features

You can customize many features of your telephone as shown in the following tables. Original settings are shown in the gray boxes. For later reference, place a check mark in the boxes below to indicate your customized settings.



Item	Programming Input	Selection & Parameter	
		Input	Options
Would you like to turn on the display backlight of the KX-T7633/KX-T7636? (Display Backlight Selection)	0 4 [Back light]	0	<input type="checkbox"/> Yes—ON in use [Automatic]
		1	<input checked="" type="checkbox"/> Yes—Always ON [Always On]
		2	<input type="checkbox"/> No—Always OFF [Always Off]
How do you prefer to receive an intercom call? (Alternate Receiving—Ring/Voice)	2 1 [Voice Call]	0	<input checked="" type="checkbox"/> Ringing [Tone Call]
		1	<input type="checkbox"/> Directly—The party's voice is heard without ringing. [Voice Call]
		2	<input type="checkbox"/> Ring only—Prohibiting the caller switching to the voice mode. [Voice Call Deny]
Do you prefer to receive call waiting for outside calls?	3 0 [C.Wait CO]	0	<input type="checkbox"/> No (No tone) [CW Tone Off]
		1	<input checked="" type="checkbox"/> Yes (Tone) [CW Tone On]
Which type of call waiting for intercom calls do you prefer? (Call Waiting Selection)	3 1 [C.Wait Ext]	0	<input type="checkbox"/> No call [CW Tone Off]
		1	<input checked="" type="checkbox"/> Tone [CW Tone On]
		2	<input type="checkbox"/> Voice announcement through the built-in speaker [OHCA (Announce)]
		3	<input type="checkbox"/> Voice announcement through the handset [Whisper OHCA]
Which type of call waiting tone do you prefer? (Call Waiting Tone Type Selection)	3 2 [C.Wait Tone]	0	<input checked="" type="checkbox"/> Tone 1 [CW Tone 1]
		1	<input type="checkbox"/> Tone 2 [CW Tone 2]

Settings on the Programming Mode

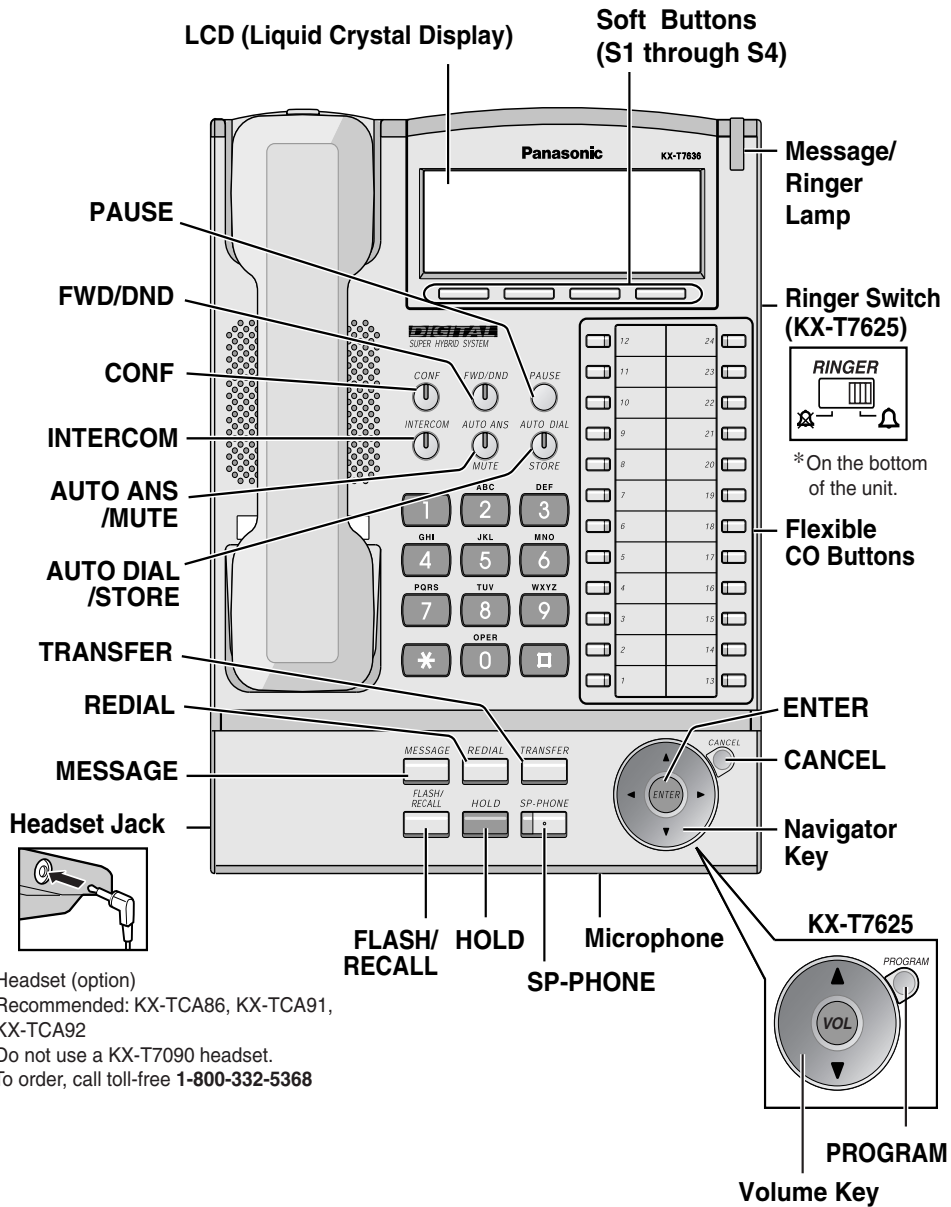
Item	Programming Input	Selection & Parameter		
Would you like to show a message on the caller's telephone display? (Absent Message)	<div style="border: 1px solid black; padding: 2px; display: inline-block;"> 4 0 </div> [Absent Msg]	0	<input type="checkbox"/> No-Off [Absent Msg Off]	
		message no. (1-8)	<input type="checkbox"/> Yes—Shows the selected message.	
		9	<input type="checkbox"/> Yes—Shows your personal message.	
Where are your incoming calls forwarded or refused? (Call Forwarding [FWD]/Do Not Disturb [DND])	<div style="border: 1px solid black; padding: 5px; display: inline-block;"> <div style="border: 1px solid black; padding: 2px; display: inline-block;"> 5 0 </div> OR FWD/DND U </div> (for both calls) [Fwd/DND Both]	0	<input type="checkbox"/> Off [Fwd/DND Off]	
		1	<input type="checkbox"/> Do Not Disturb (DND) [Do Not Disturb]	
		<div style="border: 1px solid black; padding: 2px; display: inline-block;"> 2 + desired no. (max. 32 digits) </div>	<input type="checkbox"/> All-Forward all calls [Fwd All:]	
		<div style="border: 1px solid black; padding: 2px; display: inline-block;"> 5 1 </div> (for outside calls) [Fwd/DND CO]	<div style="border: 1px solid black; padding: 2px; display: inline-block;"> 3 + desired no. (max. 32 digits) </div>	<input type="checkbox"/> Busy-Forwarded when your extension is busy. [Fwd Busy:]
		<div style="border: 1px solid black; padding: 2px; display: inline-block;"> 5 2 </div> (for intercom calls) [Fwd/DND Ext]	<div style="border: 1px solid black; padding: 2px; display: inline-block;"> 4 + desired no. (max. 32 digits) </div>	<input type="checkbox"/> No Answer-Forwarded when you do not answer. [Fwd N/A:]
			<div style="border: 1px solid black; padding: 2px; display: inline-block;"> 5 + desired no. (max. 32 digits) </div>	<input type="checkbox"/> Busy/No Answer-Forwarded when you do not answer or when your extension is busy. [Fwd B/NA:]
Do you use the headset? (Headset Operation)	<div style="border: 1px solid black; padding: 2px; display: inline-block;"> 6 1 </div> [Headset Mode]	0	<input type="checkbox"/> No-Headset off [Headset Mode Off]	
		1	<input type="checkbox"/> Yes-Headset on [Headset Mode On]	
Would you like to set your extension PIN or change a stored extension PIN to new one? (Extension PIN [Personal Identification Number])	<div style="border: 1px solid black; padding: 2px; display: inline-block;"> 9 0 </div> [Extension PIN]	extension PIN (max. 10 digits) + ENTER/STORE + same PIN	To set an extension PIN	WARNING When a third party discovers the password (extension PIN) of the Business Telephone System, there will be a risk that they will make fraudulent phone calls using the telephone line, and the cost will be charged to your own account. In order to avoid this problem, we strongly recommend the following points: a) Carefully maintain the secrecy of the PIN. b) Specify a complicated PIN as long and random as you can make it. c) Change the PIN frequently.
		stored extension PIN + new PIN (max. 10 digits) + ENTER/STORE + same PIN	To change a stored extension PIN to new one	
Would you like to prevent others from seeing your personal directory and call log? (Directory and Call Log Lock)	<div style="border: 1px solid black; padding: 2px; display: inline-block;"> 9 2 </div> [Display Lock]	extension PIN (max. 10 digits) + 0	<input type="checkbox"/> To unlock [Display Lock Off]	
		extension PIN (max. 10 digits) + 1	<input type="checkbox"/> To lock [Display Lock On]	




- If nothing is entered for one minute in the programming mode, the telephone returns to normal status.
- To exit the mode at any time, lift the handset.
- For further information on “Settings on the Programming Mode”, refer to the Business Telephone System User Manual.


Location of Controls


◆ **KX-T7636**

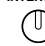



Location of Controls

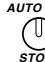
PAUSE:
 Used to insert a pause when storing a telephone number. This button also functions as the PROGRAM button when there is no PROGRAM button on your telephone.


FWD/DND (Call Forwarding/Do Not Disturb):
 Used to perform Call Forwarding or Do Not Disturb.

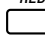
CONF (Conference):
 Used to establish a multiple-party conversation.

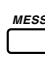
INTERCOM:
 Used to make or receive intercom calls.

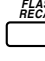
AUTO ANS (Auto Answer)/ MUTE:
 Used to receive an incoming call in hands-free mode or mute the microphone/handset during a conversation.

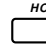
AUTO DIAL/STORE:
 Used for System/Personal Speed Dialing or storing program changes.

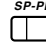
TRANSFER:
 Used to transfer a call to another party.


REDIAL:
 Used to redial the last dialed number.


MESSAGE:
 Used to leave a message waiting indication or call back the party who left the message waiting indication.

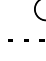
FLASH/RECALL:
 Used to disconnect the current call and make another call without hanging up.

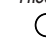
HOLD:
 Used to place a call on hold.


SP-PHONE (Speakerphone):
 Used for the hands-free operation.

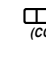
Navigator Key (KX-T7630/7633/7636):
 Used to adjust the volume and the display contrast or select desired items.


Volume Key (KX-T7625):
 Used to adjust the volume.

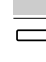
CANCEL (KX-T7630/7633/7636):
 Used to cancel the selected item.

PROGRAM (KX-T7625):
 Used to enter and exit the personal programming mode.

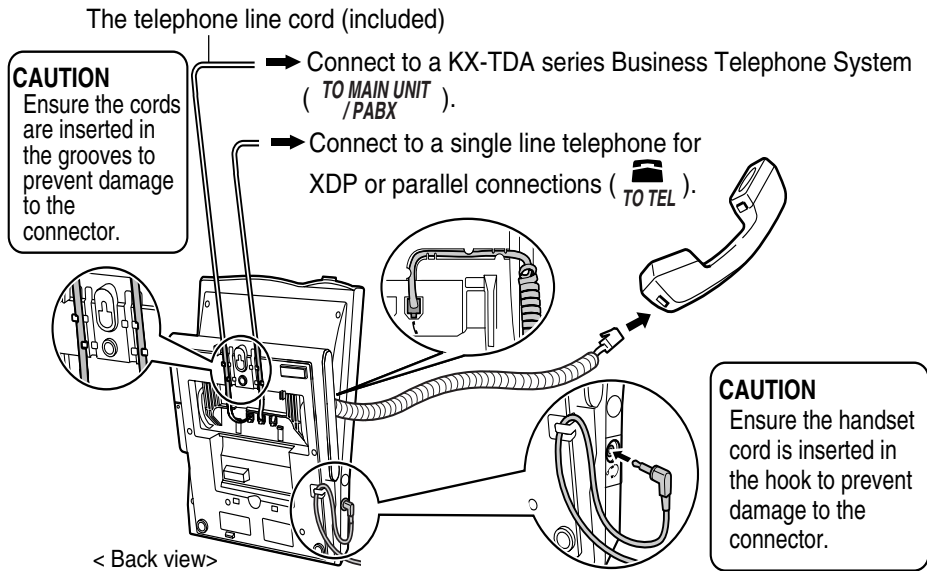
ENTER (KX-T7630/7633/7636):
 Used to confirm the selected item.

CO:
 Used to make or receive an outside call. Pressing this button seizes an idle outside line automatically. (Button assignment is required.) Also used as feature buttons. (Button assignment is required.)

Message/Ringer Lamp:
 When you receive an intercom call, the lamp flashes green, and on an outside call, the lamp flashes red. When someone has left you a message, the lamp stays on red.

Soft Buttons (KX-T7630/7633/7636):
 Used to select the item displayed on the bottom line on the display.

Connection



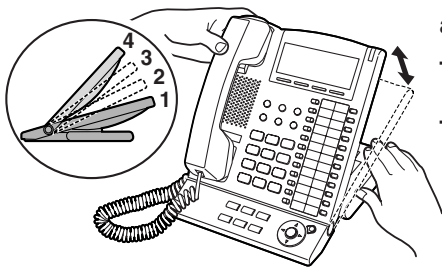
• Consult your dealer for more details about XDP.

Setting

Speaker volume	<i>While in hands-free conversation</i>	
Handset/Headset volume*	<i>While using the handset or headset</i>	Press Up or Down .
Ringer volume	<p>KX-T7625 <i>While on-hook or receiving a call</i></p> <p> Slide the lever of the Ringer switch to (Off/On).</p> <p>KX-T7630/7633/7636 <i>While on-hook or receiving a call</i></p> <p> Press Up or Down.</p>	<p>If On is selected, press Up or Down.</p>
LCD Contrast	<p>KX-T7630/7633/7636 <i>While on-hook</i></p> <p></p>	
Ring Tone	<p></p> <p>Press Twice.</p>	

* If you hear your own voice through the handset or headset, decrease the volume.

Tilt Angle Adjustment



The tilt angle of the operation board can be adjusted to one of four angles.

To lift: Lift up the operation board to the desired step-angle (1 → 2 → 3 → 4).

To set down: Lift up the operation board to the highest angle and then press down to step-angle 1. **Be careful not to get your fingers caught between the base and the operation board.**

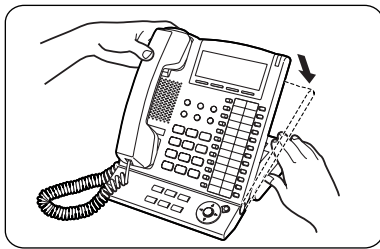


- Pull down the handset hook until it locks to prevent the handset from slipping down from the operation board when at step-angle 4.

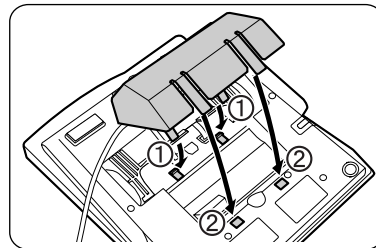


Wall Mounting

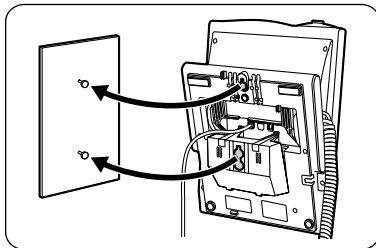
- 1 Set the operation board to step-angle 1.



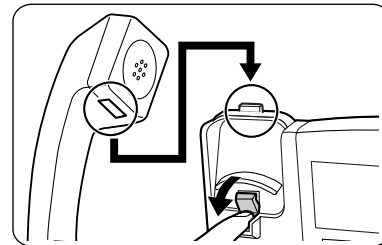
- 2 Connect the telephone line cord, and then attach ① first and then ② of the wall mounting adaptor.



- 3 Mount the unit on the wall.



- 4 Pull down the handset hook until it locks, so the tab holds the handset. **To temporarily place the handset down during a conversation, hook it over the top edge of the phone as shown.**



*Model shown is KX-T7636.

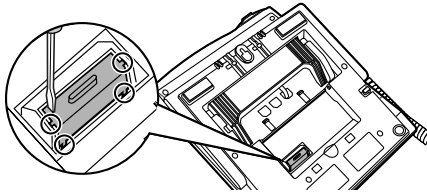
Installing the KX-T7601/KX-T7603

To prevent damage to the telephone, be sure to unplug the extension line before you set up or remove the USB Module or the Add-on Key Module.

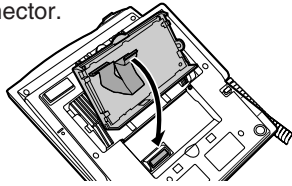
◆◆ KX-T7601 (For KX-T7633/7636) includes USB cable

The USB Module can be connected between the digital proprietary telephone and the personal computer through USB interface to implement personal CTI (Computer Telephony Integration).

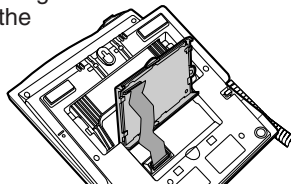
- 1 Remove the connector cover using a screwdriver.



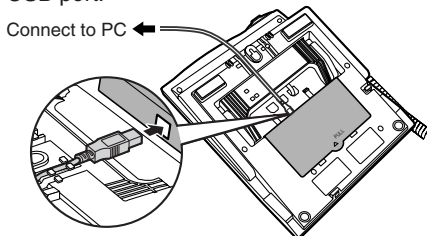
- 2 Insert the flat cable into the connector.



- 3 Couple both hinges and slide in the unit.



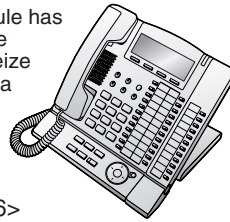
- 4 Push down the cover until it locks, and connect the USB cable to USB port.



* Please use a USB cable shorter than 3 m (3.28 yards).

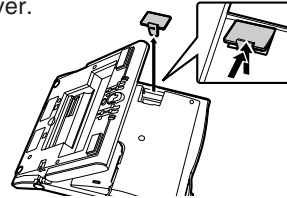
◆◆ KX-T7603 (For KX-T7633/7636)

The Add-on Key Module has 12 CO buttons. These buttons are used to seize an outside line, make a call using One-touch Dialing, or access certain features.

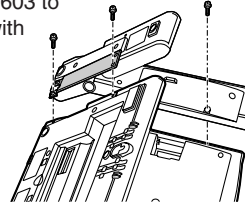


<with a KX-T7636>

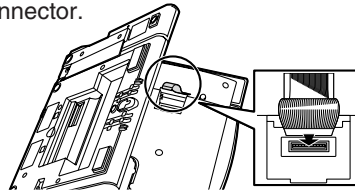
- 1 Open the cover.



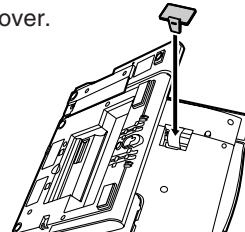
- 2 Attach the KX-T7603 to your telephone with screws.



- 3 Insert the flat cable into the connector.



- 4 Close the cover.



PDF Eraser Free

For your future reference

SERIAL NO. _____
(found on the bottom of the unit)

DATE OF PURCHASE _____

NAME OF DEALER _____

DEALER'S ADDRESS _____

DEALER'S TEL. NO. _____

Copyright:

This manual is copyrighted by Panasonic Corporation. Under the applicable copyright laws, this manual may not be reproduced, stored in a retrieval system, or transmitted, in whole or part, without the prior written permission of Panasonic Corporation.

1. (PCC).
placed in any
its licensee.

© 2003 Panasonic Communication

**Panasonic Consumer Electronic
Division of Matsushita Electric Co., Ltd.**
One Panasonic Way
Secaucus, NJ 07094

**Panasonic Sales Company
Division of Matsushita Electric of Puerto Rico, Inc.**
Ave. 65 de Infantería, Km. 9.5
San Gabriel Industrial Park
Carolina, Puerto Rico 00985

<http://www.panasonic.com/csd>

PSQX2607YA KK0703TT1044